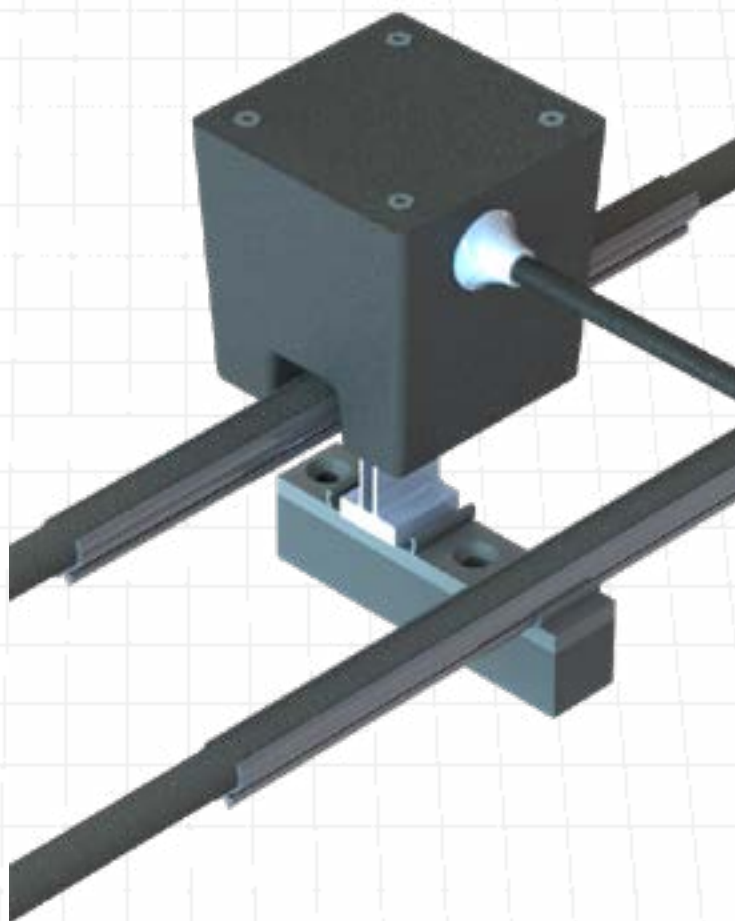


**NEW  
PRODUCT**



## vPOWER U015 PICKUP

### HIGHLIGHTS

- Compact size
- Lightweight: Only 650 g
- 150W peak power
- Output voltage: 24VDC
- IP65
- Halogen/silicon free
- Internal strain relief
- 1m pre assembled cable
- Acceleration up to 5 m/s<sup>2</sup>
- Plug and Play installation

## U015 PICKUP

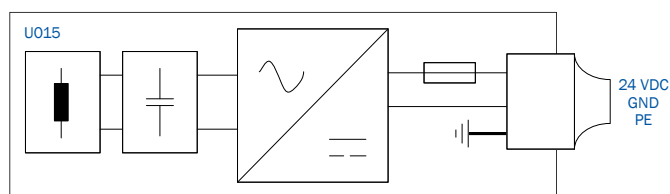
### ELECTRICAL DATA

• Peak power	150W
• Nominal power	100W
• Duty cycle	70%
• Track current	45A
• Track frequency	140 kHz
• Track conductor spacing	61 mm
• Output voltage	24VDC
• Output current	6.5 A
• Protection	Polyfuse

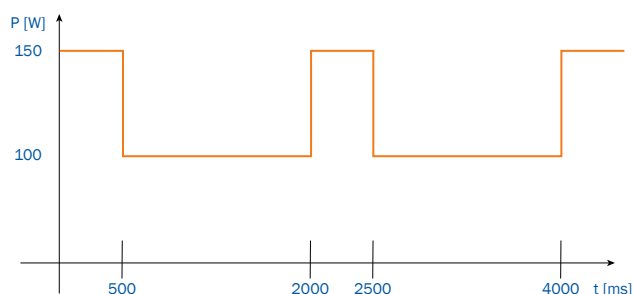
### MECHANICAL DATA

• Dimensions	67.4x67.4x71.0 mm
• Mounting holes	48x48 mm
• Weight	650 g
• Nominal airgap	4 mm
• Vertical tolerance	±1 mm
• Horizontal tolerance	±1 mm
• Protection rating	IP65
• Connection cable	1 m pre assembled
• Ambient temperature	5 to +40°C non-condensing
• Environment	Industrial/ clean room
• Cooling	Convection

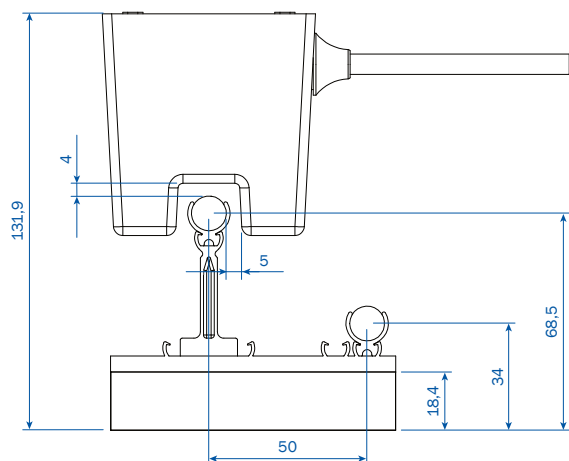
### SYSTEM OVERVIEW



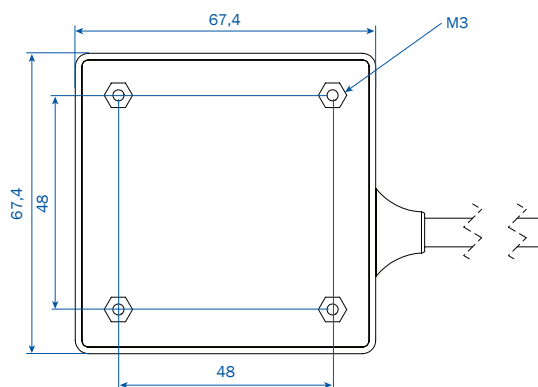
### OUTPUT POWER



### MOUNTING OVERVIEW



### TOP VIEW



### ORDERING INFORMATION

U015 Pickup	10022728	Spacer for feeding left	10001430
Spacer for compact hanger	10022382	Spacer for feeding right	10001426
Compact hanger	0915206/00	Feeding active conductor	0915295/00
Spacer for cable clip	0915179/00	Feeding passive conductor	0915296/00
Cable clip 2 m	0915298/00		
Cable clip 20 mm	10024680		